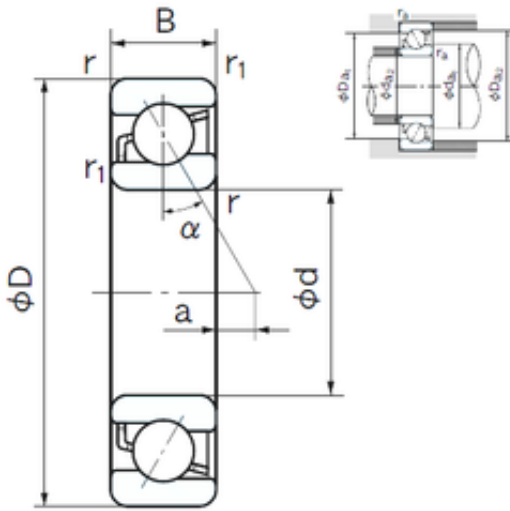




## NTN Bearing Driveshaft do Brasil



105 mm x 190 mm x 36 mm 105 mm x 190 mm  
x 36 mm NACHI 7221B angular contact ball  
bearings

Bearing No. 7221B

7221B Bearing 2D drawings and 3D CAD models

Size	105x190x36 mm
Bore Diameter	105 mm
Outer Diameter	190 mm
Width	36 mm
d	105 mm
D	190 mm
B	36 mm
C	36 mm
Angle ( ° )	40 °
a	44.0 mm
r min.	2.1 mm
r1 min.	1.1 mm
da min.	117 mm
Da max.	178 mm
ra max.	2 mm
Weight	3.93 Kg
Basic dynamic load rating (C)	147 kN
Basic static load rating (C0)	135 kN
(Grease) Lubrication Speed	2700 r/min
Configuration	Single Row
Enclosure	Open
Bore Type	Cylindrical Bore
Bore Size	105 mm
Outside Diameter	190 mm



## NTN Bearing Driveshaft do Brasil

Width	36 mm
Fillet Radius/Chamfer	2.1 mm
r1	1.1 mm
Dynamic Load Rating	147,000 N
Static Load Rating	135,000 N
Limiting Speed - Grease	2,700 rpm
Limiting Speed - Oil	3,600 rpm
da1 (min)	117 mm
da2 (min)	112 mm
Da1 (max)	178 mm
Da2 (max)	183 mm
ra (max)	2 mm
ra1 (max)	1 mm