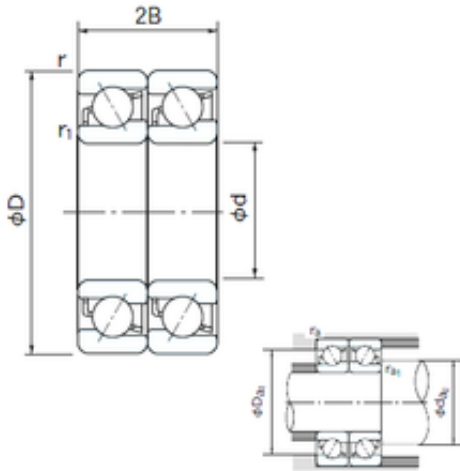




## NTN Bearing Driveshaft do Brasil



7215DT Bearing 2D drawings and 3D CAD models

75 mm x 130 mm x 25 mm 75 mm x 130 mm x 25 mm NACHI 7215DT angular contact ball bearings

Bearing No. 7215DT

Size	75x130x25 mm
Bore Diameter	75 mm
Outer Diameter	130 mm
Width	25 mm
d	75 mm
D	130 mm
B	25 mm
C	25 mm
Angle ( ° )	30 °
a	17.1 mm
r min.	1.5 mm
r1 min.	1 mm
2B	50 mm
da min.	80 mm
Da max.	124.6 mm
ra max.	1 mm
Weight	1.23 Kg
Basic dynamic load rating (C)	129 kN
Basic static load rating (C0)	137 kN
(Grease) Lubrication Speed	3400 r/min
Bore Type	Cylindrical Bore
Enclosure	Open
Configuration	Duplex
Bore Size	75 mm



## NTN Bearing Driveshaft do Brasil

Outside Diameter	130 mm
Width	25 mm
Fillet Radius/Chamfer	1.5 mm
r1	1 mm
Dynamic Load Rating	129,000 N
Static Load Rating	137,000 N
Limiting Speed - Grease	3,400 rpm
Limiting Speed - Oil	4,700 rpm
da1 (min)	84 mm
da2 (min)	80 mm
Da1 (max)	121 mm
Da2 (max)	124.6 mm
ra (max)	1.5 mm
ra1 (max)	1 mm