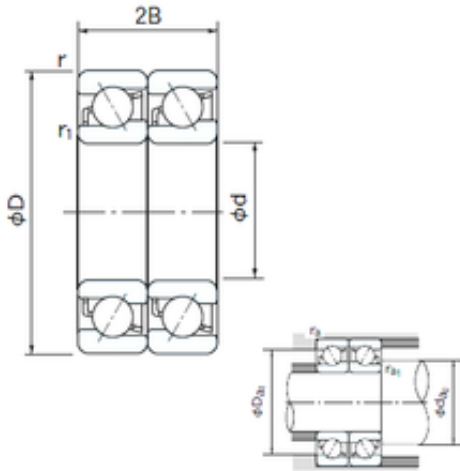




NTN Bearing Driveshaft do Brasil



60 mm x 130 mm x 31 mm 60 mm x 130 mm x 31 mm NACHI 7312BDT angular contact ball bearings

Bearing No. 7312BDT

7312BDT Bearing 2D drawings and 3D CAD models

Size	60x130x31 mm
Bore Diameter	60 mm
Outer Diameter	130 mm
Width	31 mm
d	60 mm
D	130 mm
B	31 mm
C	31 mm
Angle (°)	40 °
a	24.4 mm
r min.	2.1 mm
r1 min.	1.1 mm
2B	62 mm
da min.	67 mm
Da max.	123 mm
ra max.	1 mm
Weight	1.81 Kg
Basic dynamic load rating (C)	151 kN
Basic static load rating (C0)	135 kN
(Grease) Lubrication Speed	3400 r/min
Bore Type	Cylindrical Bore
Enclosure	Open
Configuration	Duplex
Bore Size	60 mm



NTN Bearing Driveshaft do Brasil

Outside Diameter	130 mm
Width	31 mm
Fillet Radius/Chamfer	2.1 mm
r1	1.1 mm
Dynamic Load Rating	151,000 N
Static Load Rating	135,000 N
Limiting Speed - Grease	3,400 rpm
Limiting Speed - Oil	4,500 rpm
da1 (min)	72 mm
da2 (min)	67 mm
Da1 (max)	118 mm
Da2 (max)	123 mm
ra (max)	2 mm
ra1 (max)	1 mm