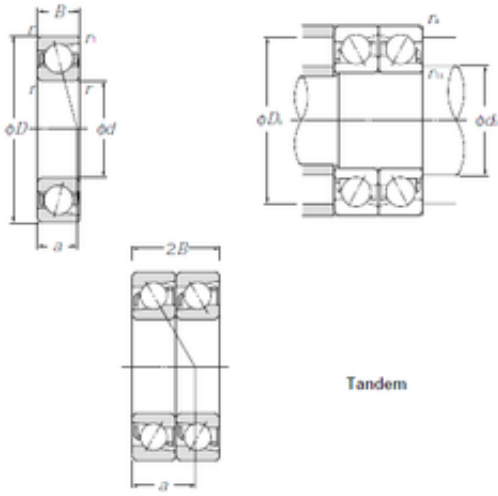




NTN Bearing Driveshaft do Brasil



75 mm x 160 mm x 37 mm 75 mm x 160 mm x 37 mm CYSD 7315BDT angular contact ball bearings

Bearing No. 7315BDT

Size	75x160x37 mm
Bore Diameter	75 mm
Outer Diameter	160 mm
Width	37 mm
d	75 mm
D	160 mm
B	37 mm
C	37 mm
Angle (°)	40 °
r min.	2,1 mm
2B	74 mm
Weight	6,26 Kg
Basic dynamic load rating (C)	202 kN
Basic static load rating (C0)	195 kN
(Grease) Lubrication Speed	3300 r/min

7315BDT Bearing 2D drawings and 3D CAD models