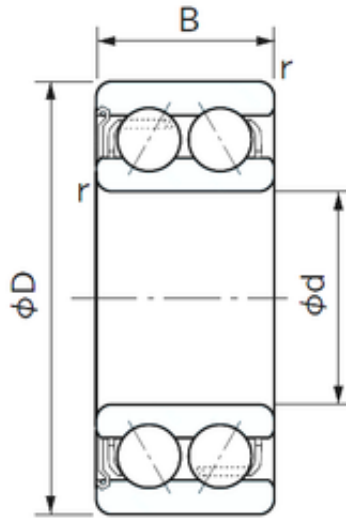




NTN Bearing Driveshaft do Brasil



50 mm x 90 mm x 30.2 mm 50 mm x 90 mm x 30.2 mm NACHI 5210Z angular contact ball bearings

Bearing No. 5210Z

Size	50x90x30.2 mm
Bore Diameter	50 mm
Outer Diameter	90 mm
Width	30.2 mm
d	50 mm
D	90 mm
B	30.2 mm
C	30.2 mm
Angle ()	30 °
r min.	1.1 mm
Weight	0.670 Kg
Basic dynamic load rating (C)	45 kN
Basic static load rating (C0)	39 kN

5210Z Bearing 2D drawings and 3D CAD models