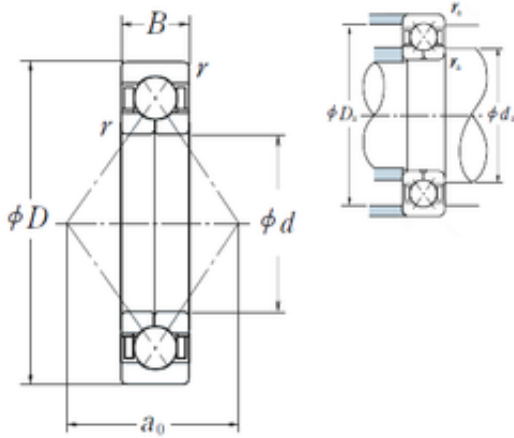




NTN Bearing Driveshaft do Brasil



200 mm x 310 mm x 51 mm 200 mm x 310 mm
x 51 mm NSK QJ 1040 angular contact ball
bearings

Bearing No. QJ 1040

Size	200x310x51 mm
Bore Diameter	200 mm
Outer Diameter	310 mm
Width	51 mm
d	200 mm
D	310 mm
B	51 mm
C	51 mm
Angle (°)	35 °
a	178,6 mm
r min.	2,1 mm
da min.	212 mm
da max	298 mm
ra max.	2 mm
Weight	15 Kg
Basic dynamic load rating (C)	345 kN
Basic static load rating (C0)	1020 kN
(Grease) Lubrication Speed	1 500 r/min

QJ 1040 Bearing 2D drawings and 3D CAD models