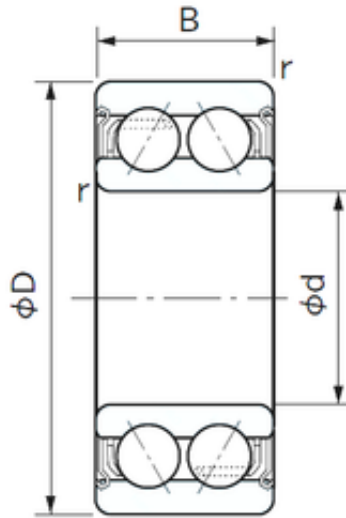




NTN Bearing Driveshaft do Brasil



75 mm x 130 mm x 41.3 mm 75 mm x 130 mm x 41.3 mm NACHI 5215AZZ angular contact ball bearings

Bearing No. 5215AZZ

5215AZZ Bearing 2D drawings and 3D CAD models

Size	75x130x41.3 mm
Bore Diameter	75 mm
Outer Diameter	130 mm
Width	41.3 mm
d	75 mm
D	130 mm
B	41.3 mm
C	41.3 mm
r min.	1.5 mm
Weight	1.91 Kg
Basic dynamic load rating (C)	88 kN
Basic static load rating (C0)	81,5 kN
Enclosure	Double Shield
Configuration	Double Row
Bore Type	Cylindrical Bore
Bore Size	75 mm
Outside Diameter	130 mm
Width	41.3 mm
Fillet Radius/Chamfer	1.5 mm
Dynamic Load Rating	88,000 N
Static Load Rating	81,500 N
Limiting Speed - Oil	3,200 rpm
Radial Clearance	0.010 to 0.030 mm
da	84 mm



NTN Bearing Driveshaft do Brasil

Da	121 mm
ra	1.5 mm