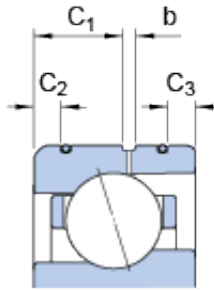
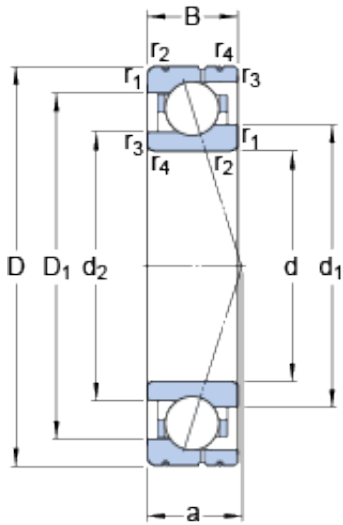




NTN Bearing Driveshaft do Brasil



75 mm x 105 mm x 16 mm 75 mm x 105 mm x 16 mm SKF 71915 CE/P4AL angular contact ball bearings

Bearing No. 71915 CE/P4AL

71915 CE/P4AL Bearing 2D drawings and 3D CAD models

Size	105x75x16 mm
Bore Diameter	105 mm
Outer Diameter	75 mm
Width	16 mm
d	75 mm
D	105 mm
B	16 mm
d ₁	84.3 mm
d ₂	81.8 mm
D ₁	95.52 mm
b	2 mm
C ₁	8.6 mm
C ₂	2.8 mm
C ₃	2.8 mm
r _{1,2} - min.	1 mm
r _{3,4} - min.	0.3 mm
a	20.7 mm
d _a - min.	79.6 mm
d _b - min.	77 mm
D _a - max.	100.4 mm
D _b - max.	103 mm
r _a - max.	1 mm
r _b - max.	0.3 mm
d _n	86.5 mm



NTN Bearing Driveshaft do Brasil

Basic dynamic load rating - C	22.5 kN
Basic static load rating - C_0	17 kN
Fatigue load limit - P_u	0.72 kN
Limiting speed for grease lubrication	17500 r/min
Limiting speed for oil lubrication	27000 mm/min
Ball - D_w	9.525 mm
Ball - z	23
G_{ref}	4.5 cm ³
Calculation factor - f_0	8.5
Preload class A - G_A	120 N
Preload class B - G_B	361 N
Preload class C - G_C	722 N
Calculation factor - f	1.16
Calculation factor - f	1
Calculation factor - f_{2A}	1
Calculation factor - f_{2B}	1.04
Calculation factor - f_{2C}	1.08
Calculation factor - f_{HC}	1
Preload class A	54 N/micron
Preload class B	86 N/micron
Preload class C	118 N/micron
d_1	84.3 mm
d_2	81.8 mm
D_1	95.52 mm
C_1	8.6 mm
C_2	2.8 mm
C_3	2.8 mm
$r_{1,2}$ min.	1 mm



NTN Bearing Driveshaft do Brasil

$r_{3,4}$ min.	0.3 mm
d_a min.	79.6 mm
d_b min.	77 mm
D_a max.	100.4 mm
D_b max.	103 mm
r_a max.	1 mm
r_b max.	0.3 mm
d_n	86.5 mm
Basic dynamic load rating C	22.5 kN
Basic static load rating C_0	17 kN
Fatigue load limit P_u	0.72 kN
Attainable speed for grease lubrication	17500 r/min
Attainable speed for oil-air lubrication	27000 r/min
Ball diameter D_w	9.525 mm
Number of balls z	23
Reference grease quantity G_{ref}	4.5 cm ³
Preload class A G_A	120 N
Static axial stiffness, preload class A	54 N/ μ m
Preload class B G_B	361 N
Static axial stiffness, preload class B	86 N/ μ m
Preload class C G_C	722 N
Static axial stiffness, preload class C	118 N/ μ m
Calculation factor f	1.16
Calculation factor f_1	1
Calculation factor f_{2A}	1
Calculation factor f_{2B}	1.04
Calculation factor f_{2C}	1.08
Calculation factor f_{HC}	1



NTN Bearing Driveshaft do Brasil

Calculation factor f_0	8.5
Mass bearing	0.34 kg