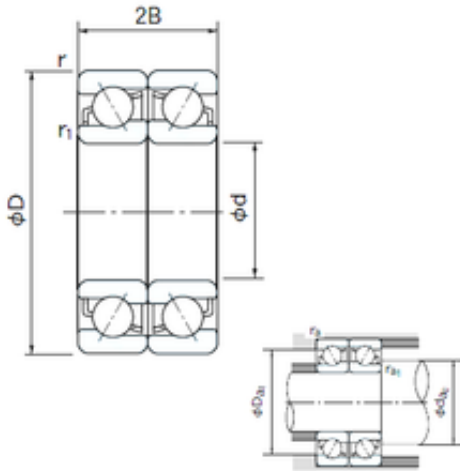




NTN Bearing Driveshaft do Brasil



7206BDF Bearing 2D drawings and 3D CAD models

30 mm x 62 mm x 16 mm 30 mm x 62 mm x 16 mm NACHI 7206BDF angular contact ball bearings

Bearing No. 7206BDF

Size	30x62x16 mm
Bore Diameter	30 mm
Outer Diameter	62 mm
Width	16 mm
d	30 mm
D	62 mm
B	16 mm
C	16 mm
Angle (°)	40 °
a	11.3 mm
r min.	1 mm
r1 min.	0.6 mm
2B	32 mm
da min.	33 mm
Da max.	58.4 mm
ra max.	0.6 mm
Weight	0.210 Kg
Basic dynamic load rating (C)	34,5 kN
Basic static load rating (C0)	27,9 kN
(Grease) Lubrication Speed	7000 r/min
Bore Type	Cylindrical Bore
Enclosure	Open
Configuration	Duplex
Bore Size	30 mm



NTN Bearing Driveshaft do Brasil

Outside Diameter	62 mm
Width	16 mm
Fillet Radius/Chamfer	1 mm
r1	0.6 mm
Dynamic Load Rating	34,500 N
Static Load Rating	27,900 N
Limiting Speed - Grease	7,000 rpm
Limiting Speed - Oil	9,500 rpm
da1 (min)	36 mm
da2 (min)	33 mm
Da1 (max)	56 mm
Da2 (max)	58.4 mm
ra (max)	1 mm
ra1 (max)	0.6 mm