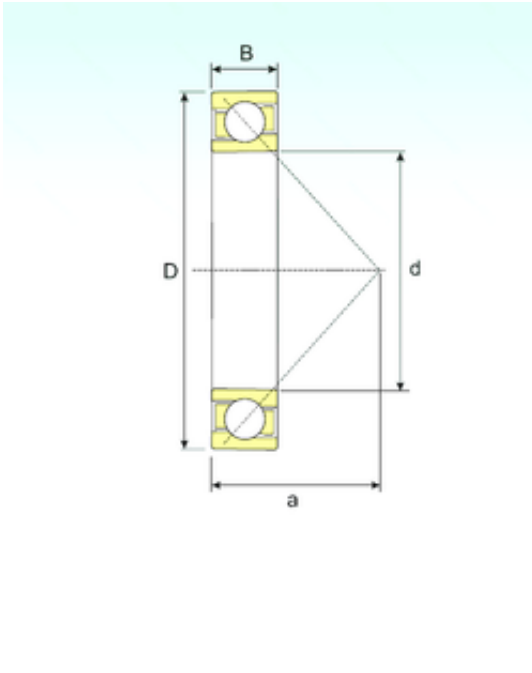




NTN Bearing Driveshaft do Brasil



7326 B Bearing 2D drawings and 3D CAD models

130 mm x 280 mm x 58 mm 130 mm x 280 mm
x 58 mm ISB 7326 B angular contact ball bearings

Bearing No. 7326 B

Size	130x280x58 mm
Bore Diameter	130 mm
Outer Diameter	280 mm
Width	58 mm
d	130 mm
D	280 mm
B	58 mm
C	58 mm
a	115 mm
Weight	17,1 Kg
Basic dynamic load rating (C)	290,08 kN
Basic static load rating (C0)	298,9 kN
(Grease) Lubrication Speed	2142 r/min