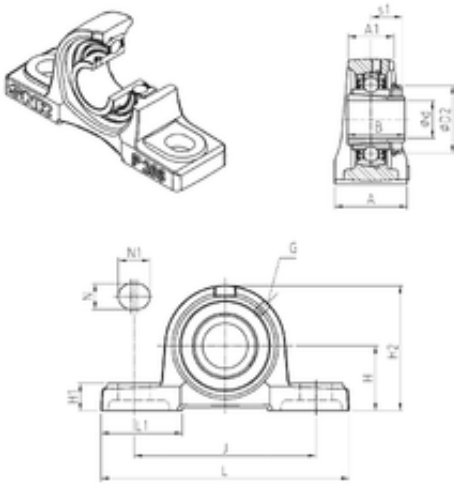




NTN Bearing Driveshaft do Brasil



SNR UKP215H bearing units

Bearing No. UKP215H

Bore Diameter	65 mm
d	65 mm
s1	35,5 mm
A	74 mm
A1	48 mm
B	73 mm
D2	98 mm
H	82,6 mm
H1	28 mm
H2	163 mm
J	217 mm
L	275 mm
L1	85 mm
N	25 mm
N1	31 mm
Thread (G)	M10x1
Weight	6,9 Kg
Basic dynamic load rating (C)	66 kN

UKP215H Bearing 2D drawings and 3D CAD models