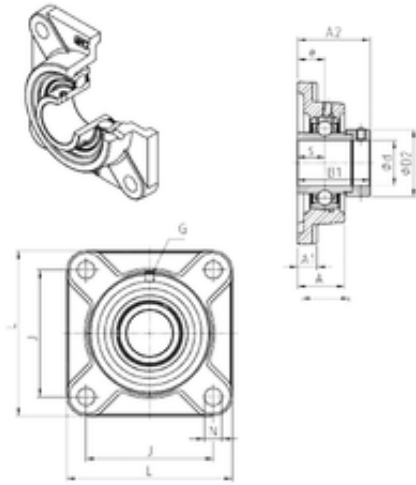




NTN Bearing Driveshaft do Brasil



SNR EXF306 bearing units

Bearing No. EXF306

Bore Diameter	30 mm
d	30 mm
e	18 mm
s	17,5 mm
A	32 mm
A1	15 mm
B1	50 mm
D2	50 mm
J	95 mm
L	125 mm
N	16 mm
Thread (G)	M6x1
A2	50,5 mm
Weight	1,7 Kg
Basic dynamic load rating (C)	27 kN

EXF306 Bearing 2D drawings and 3D CAD models