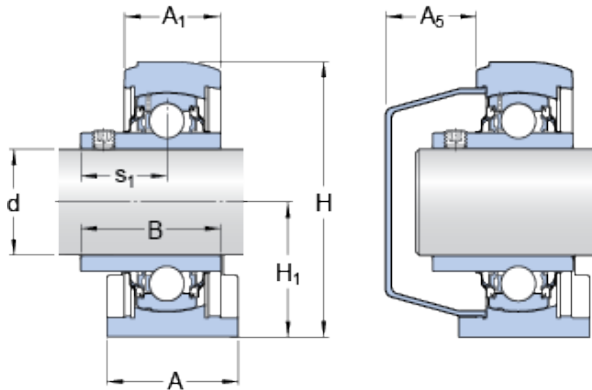




NTN Bearing Driveshaft do Brasil



SKF SYFWK 35 LTA bearing units

Bearing No. SYFWK 35 LTA

Size	35x48x32.5 mm
Bore Diameter	35 mm
Outer Diameter	48 mm
Width	32,5 mm
d	35 mm
A	48 mm
A ₁	32.5 mm
B	42.9 mm
H	95 mm
H ₁	47.6 mm
J	82.6 mm
L	110 mm
s ₁	25.4 mm
Basic dynamic load rating - C	25.5 kN
Basic static load rating - C ₀	15.3 kN
Fatigue load limit - P _u	0.655 kN
Limiting speed	3200 r/min
Calculation factor - f ₀	14
Weight	0.73 kg
Size thread - G	M10
Thread length - G ₁	12 mm
Hexagonal key size for grub screw - H	3 mm
Recommended tightening torque for grub screw	4 N · m

SYFWK 35 LTA Bearing 2D drawings and 3D CAD models



NTN Bearing Driveshaft do Brasil

Housing	SYFWK 507 L
Bearing - YAR 207-2RF/VE495	YAR 2072RF/VE495
Category	Bearings
Inventory	0.0
Manufacturer Name	SKF
Minimum Buy Quantity	N/A
Weight / Kilogram	0
Product Group	M06110
Housing material	Composite for food and beverage
A ₁	32.5 mm
A ₅	28.8 mm
H ₁	47.6 mm
s ₁	25.4 mm
Basic dynamic load rating C	25.5 kN
Basic static load rating C ₀	15.3 kN
Fatigue load limit P _u	0.655 kN
Mass bearing unit	0.73 kg
Thread size attachment end G	M10
Thread length G ₁	12 mm
Thread grub screw G ₂	M6x0.75
Hexagonal key size for grub screw N	3 mm