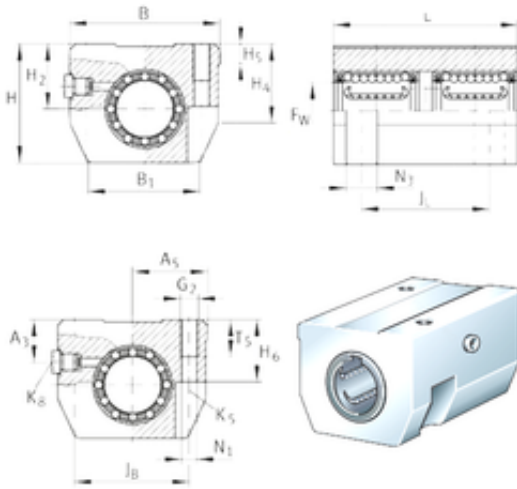




NTN Bearing Driveshaft do Brasil



KTHK12-B-PP-AS Bearing 2D drawings and 3D CAD models

INA KTHK12-B-PP-AS bearing units

Bearing No. KTHK12-B-PP-AS

Bore Diameter	12 mm
Fw	12 mm
H4	25,1 mm
H5	5 mm
H6	16 mm
A5	20 mm
Thread (K)	M4
B	40 mm
B1	32 mm
H	33 mm
H2	17 mm
L	60 mm
N1	4,3 mm
T	11 mm
A3	11 mm
N2	10 mm
Thread (G2)	M5
JB	29 mm
JL	35 mm
Weight	0,17 Kg
Basic dynamic load rating (C)	1,09 kN