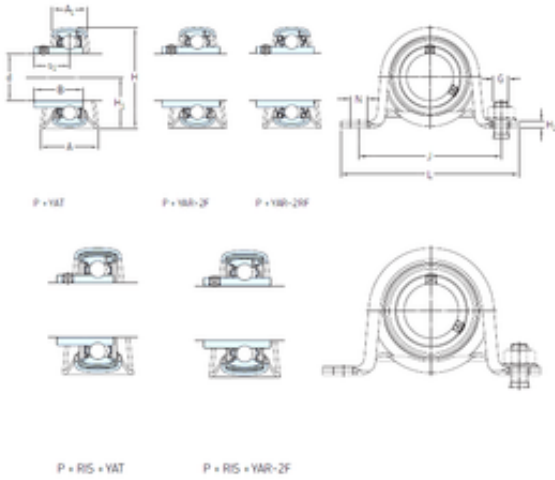




NTN Bearing Driveshaft do Brasil



SKF P 52 R-20 TF bearing units

Bearing No. P 52 R-20 TF

Bore Diameter	20 mm
d	20 mm
s1	18,3 mm
A	32 mm
A1	24 mm
B	31 mm
H	56 mm
H1	28,3 mm
H2	3,2 mm
J	86 mm
L	108 mm
N	11,2 mm
Thread (G)	10
Weight	0,26 Kg
Basic dynamic load rating (C)	12,7 kN
Basic static load rating (C0)	6,55 kN
Housing material	Pressed steel
A ₁	23 mm
B ₄	4.5 mm
H ₁	28.4 mm
H ₂	3.2 mm
s ₁	18.3 mm
Basic dynamic load rating C	12.7 kN
Basic static load rating C ₀	6.55 kN
Fatigue load limit P _u	0.28 kN
Permissible radial housing	1.8 kN

P 52 R-20 TF Bearing 2D drawings and 3D CAD models



NTN Bearing Driveshaft do Brasil

load max.	
Limiting speed	8500 r/min
Mass bearing unit	0.25 kg
Thread grub screw G ₂	M6x0.75
Hexagonal key size for grub screw N	3 mm
Recommended tightening torque for grub screw	4 N · m
Recommended diameter for attachment bolts, mm G	10 mm
Recommended diameter for attachment bolts, inch G	0.375 in
Housing	P 52
Bearing	YAR 204-2F
Rubber seating ring	RIS 204