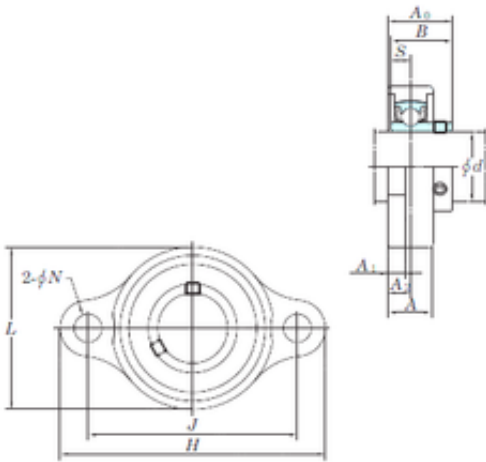




NTN Bearing Driveshaft do Brasil



KOYO USFL000S6 bearing units

Bearing No. USFL000S6

Bore Diameter	10 mm
d	10 mm
A0	16 mm
A	12 mm
A1	5 mm
B	15 mm
H	60 mm
J	45 mm
L	34 mm
N	7 mm
S	5 mm
Bolt (G)	M6
A2	6 mm
Weight	12,3 Kg
Basic dynamic load rating (C)	0,076 kN
Basic static load rating (C0)	3,9 kN

USFL000S6 Bearing 2D drawings and 3D CAD models