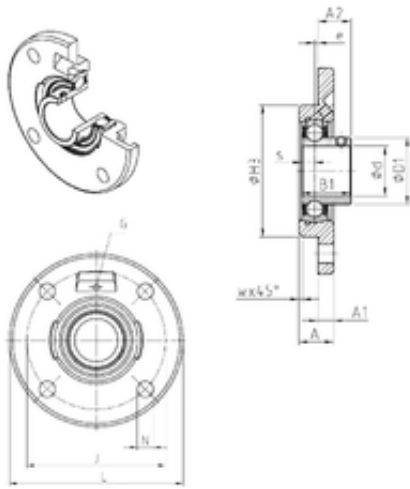




# NTN Bearing Driveshaft do Brasil



## SNR USFCE209 bearing units

Bearing No. USFCE209

Bore Diameter	45 mm
d	45 mm
H3	105 mm
e	2 mm
s	10,2 mm
A	25 mm
A1	12 mm
B1	41,2 mm
D1	57,2 mm
J	130 mm
L	155 mm
N	14 mm
W	2 mm
Thread (G)	M6x1
A2	29 mm
Weight	1,8 Kg
Basic dynamic load rating (C)	31,85 kN

USFCE209 Bearing 2D drawings and 3D CAD models