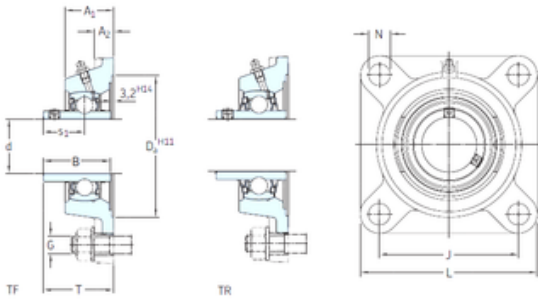




NTN Bearing Driveshaft do Brasil

SKF FY 45 WF bearing units

Bearing No. FY 45 WF



FY 45 WF Bearing 2D drawings and 3D CAD models

Bore Diameter	45 mm
d	45 mm
Da	119,1 mm
s1	34,9 mm
A1	39 mm
B1	56,3 mm
G	14 mm
J	105 mm
L	137 mm
N	16 mm
T	58,9 mm
A2	14 mm
Weight	2,25 Kg
Basic dynamic load rating (C)	33,2 kN
Basic static load rating (C0)	21,6 kN
Fatigue load limit (Pu)	0,915
Category	Mounted Units & Inserts
Inventory	0.0
Manufacturer Name	SKF
Minimum Buy Quantity	N/A
UNSPSC	31171501
Weight / Kilogram	0
EAN	7316570703979
Product Group	M06110
Housing material	Cast iron
D _a	119.1 mm



NTN Bearing Driveshaft do Brasil

D_{b1}	102 mm
D_{b2}	112 mm
A	39 mm
A_1	14 mm
A_3	3.2 mm
A_5	23 mm
B_1	56.3 mm
s_1	34.9 mm
R_G	1/4-28 UNF
R_1	24.5 mm
D_N	6.5 mm
SW_N	7 mm
G_N	1/4-28 SAE-LT
J_6	123 mm
J_7	33.5 mm
N_4	4 mm
Basic dynamic load rating C	33.2 kN
Basic static load rating C_0	21.6 kN
Fatigue load limit P_u	0.915 kN
Limiting speed	4300 r/min
Mass bearing unit	2.05 kg
Thread grub screw G_2	M10x1
Hexagonal key size for grub screw N	5 mm
Recommended tightening torque for grub screw	16.5 N · m
Recommended diameter for attachment bolts, mm G	14 mm
Recommended diameter for attachment bolts, inch G	0.5625 in
Housing	FY 509 M
Bearing	YEL 209-2F
End cover	ECY 209



NTN Bearing Driveshaft do Brasil