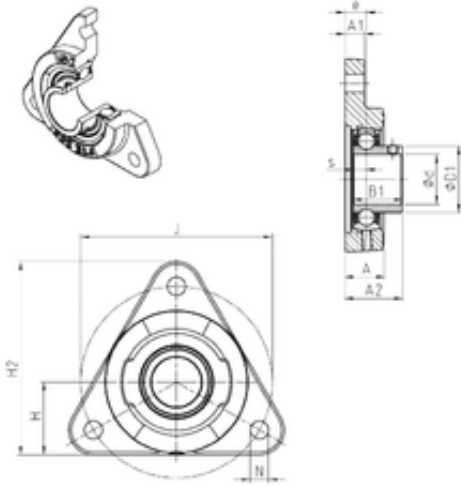




NTN Bearing Driveshaft do Brasil

SNR USFTE206 bearing units

Bearing No. USFTE206



USFTE206 Bearing 2D drawings and 3D CAD models

Bore Diameter	30 mm
d	30 mm
e	13 mm
s	8 mm
A	24 mm
A1	12 mm
B1	30 mm
D1	40,3 mm
H	44 mm
H2	117 mm
J	116 mm
N	11 mm
Thread (G)	R1/8"
A2	35 mm
Weight	1 Kg
Basic dynamic load rating (C)	19,5 kN