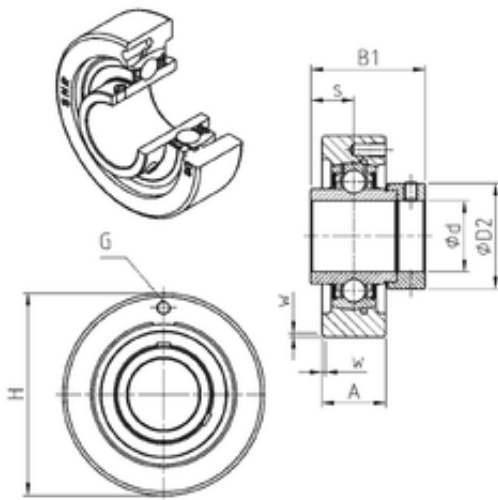




## NTN Bearing Driveshaft do Brasil



EXC319 Bearing 2D drawings and 3D CAD models

### SNR EXC319 bearing units

Bearing No. EXC319

Bore Diameter	95 mm
d	95 mm
s	46,8 mm
A	72 mm
B1	122,3 mm
D2	140 mm
H	240 mm
W	4 mm
Thread (G)	M10x1
Weight	17,4 Kg
Basic dynamic load rating (C)	156 kN
B	93.7 mm
A3	4 mm
A5	46.9 mm
d1	140 mm
G	M10x1
s1	83.35 mm
S	46.8 mm
SW	10 mm
C	156 kN
C0	122 kN
T min.	-20 ° C
T max.	100 ° C
Recommended tightening torque for set screw	120 Nm
Designation of housing	C319-



## NTN Bearing Driveshaft do Brasil

Designation of bearing	EX319G2
------------------------	---------