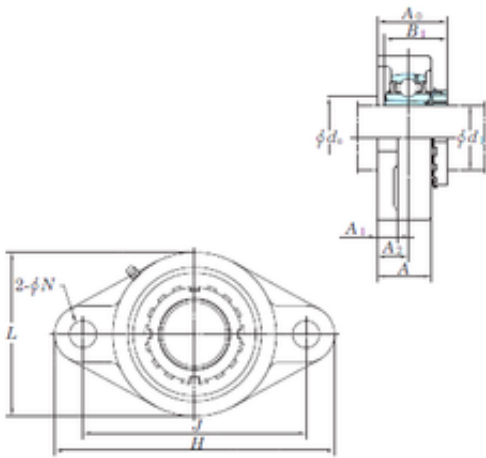




# NTN Bearing Driveshaft do Brasil

## KOYO UKFL322 bearing units

Bearing No. UKFL322



UKFL322 Bearing 2D drawings and 3D CAD models

Bore Diameter	101,6 mm
d	101,6 mm
A0	120 mm
A	96 mm
A1	42 mm
B1	105 mm
H	470 mm
J	390 mm
L	300 mm
N	44 mm
Bolt (G)	M39
A2	60 mm
Weight	36,1 Kg
Basic dynamic load rating (C)	205 kN
Basic static load rating (C0)	180 kN