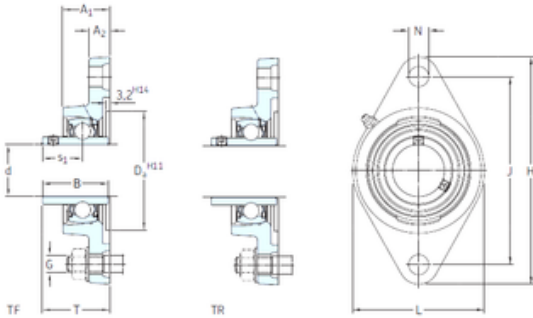




# NTN Bearing Driveshaft do Brasil

## SKF FYTB 17 FM bearing units



Bearing No. FYTB 17 FM

Bore Diameter	17 mm
d	17 mm
Da	50,8 mm
s1	22,1 mm
A1	26 mm
B1	28,6 mm
G	10 mm
H	98,5 mm
J	76,5 mm
L	57 mm
N	11,5 mm
T	39,1 mm
A2	11 mm
Weight	0,41 Kg
Basic dynamic load rating (C)	9,56 kN
Basic static load rating (C0)	4,75 kN
Fatigue load limit (Pu)	0,2
Category	Flange Block Bearings
Inventory	0.0
Manufacturer Name	SKF
Minimum Buy Quantity	N/A
Weight / Kilogram	0.41
EAN	7316577732439
Product Group	M06110
Number of Mounting Holes	2
Mounting Method	Eccentric Collar

FYTB 17 FM Bearing 2D drawings and 3D CAD models



## NTN Bearing Driveshaft do Brasil

Housing Style	2 Bolt Flange Block
Rolling Element	Ball Bearing
Housing Material	Cast Iron
Expansion / Non-expansion	Non-expansion
Mounting Bolts	10 Millimeter
Relubricatable	Yes
Insert Part Number	YET 203
Seals	M Seal
Housing Configuration	1 Piece Solid
Pilot Configuration	No Pilot
Inch - Metric	Metric
Long Description	2 Bolt Flange Block; 17MM Bore; 76MM Bolt Circle; 76.5MM Bolt Spacing; 1 Piece Solid; Eccentric Collar Mount; Cast Iron; Ball Bearing; 28.6MM Length Thru Bore; Relubricatable; M Seal Seals
Other Features	Single Row   Standard Duty   Narrow Inner Race   Open End   Y Bearing
Category	Flange Block
UNSPSC	31171501
Harmonized Tariff Code	8483.20.40.40
Noun	Bearing
Keyword String	Flanged
Manufacturer URL	<a href="http://www.skf.com">http://www.skf.com</a>
Manufacturer Item Number	FYTB 17 FM
Weight / LBS	0.904
Length Thru Bore	1.126 Inch   28.6 Millimeter
Cartridge Pilot Depth	0 Inch   0 Millimeter
Nominal Bolt Circle Diameter Round	3 Inch   76 Millimeter
Bolt Spacing	3.012 Inch   76.5 Millimeter



## NTN Bearing Driveshaft do Brasil

Bore	0.669 Inch   17 Millimeter
Cartridge Pilot Diameter	0 Inch   0 Millimeter
bore diameter:	17 mm
radial static load capacity:	4.75 kN
bolt center-to-center length:	76.5 mm
seal type:	Contact with Flinger
overall length/diameter:	57 mm
length through bore:	39.1 mm
bore type:	Round
finish/coating:	Uncoated
mounting type:	Two-Bolt Flange
maximum rpm:	9500 RPM
housing material:	Cast Iron
lubrication type:	Lubrication Fitting
locking device:	Eccentric Collar
series:	FYTB
expansion type:	Non-Expansion Bearing (Fixed)
replacement bearing:	YET 203
radial dynamic load capacity:	9.56 kN
manufacturer upc number:	7316577732439
Housing material	Cast iron
$D_a$	50.8 mm
$D_{b1}$	50 mm
$D_{b2}$	57 mm
A	26 mm
$A_1$	11 mm
$A_3$	3.2 mm
$B_1$	28.6 mm
$B_4$	4.75 mm
$s_1$	22.6 mm
$R_G$	1/4-28 UNF



## NTN Bearing Driveshaft do Brasil

$R_1$	19 mm
R	45 °
$D_N$	6.5 mm
$SW_N$	7 mm
$G_N$	1/4-28 SAE-LT
$J_6$	61.5 mm
$J_7$	11 mm
$N_4$	2 mm
Basic dynamic load rating C	9.56 kN
Basic static load rating $C_0$	4.75 kN
Fatigue load limit $P_u$	0.2 kN
Limiting speed	9500 r/min
Mass bearing unit	0.34 kg
Thread grub screw $G_2$	M6x0.75
Hexagonal key size for grub screw N	3 mm
Recommended tightening torque for grub screw	4 N · m
Recommended diameter for attachment bolts, mm G	10 mm
Recommended diameter for attachment bolts, inch G	0.375 in