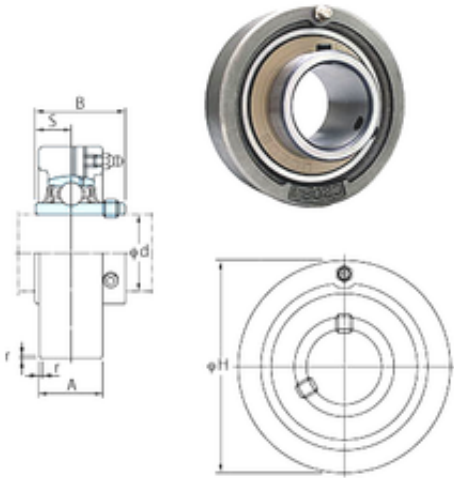




NTN Bearing Driveshaft do Brasil



FYH UCC203 bearing units

Bearing No. UCC203

Bore Diameter	17 mm
Width	31 mm
d	17 mm
r	1,5 mm
A	20 mm
B	31 mm
H	72 mm
S	12,7 mm
Weight	0,49 Kg
Basic dynamic load rating (C)	12,8 kN
Basic static load rating (C0)	6,65 kN
Category	Cartridge Unit Bearings
Inventory	0.0
Manufacturer Name	FYH BEARING UNITS
Minimum Buy Quantity	N/A
Weight / Kilogram	0.489
Product Group	M06110
Mounting Method	Set Screw
Housing Style	Cartridge Unit
Housing Material	Cast Iron
Rolling Element	Ball Bearing
Expansion / Non-expansion	Non-expansion
Relubricatable	Yes
Insert Part Number	UC203
Seals	Double Lip Contact
Other Features	Single Row Normal Duty

UCC203 Bearing 2D drawings and 3D CAD models



NTN Bearing Driveshaft do Brasil

	Has Slinger
Long Description	17MM Bore; 72MM Outside Diameter; 20MM Cartridge Housing Width; Set Screw; Cartridge Unit; Cast Iron; Ball Bearing; 31MM Length Thru Bore; Relubricatable; UC203 Insert; Double Lip Contact; Non-expansi
Inch - Metric	Metric
Category	Mounted Cartridge Units
UNSPSC	31171535
Harmonized Tariff Code	8483.20.40.40
Noun	Bearing
Keyword String	Cartridge
Manufacturer URL	http://www.fyhbearings.com
Manufacturer Item Number	UCC203
Weight / LBS	1.08
Outside Diameter	2.835 Inch 72 Millimeter
Bore	0.669 Inch 17 Millimeter
Length Thru Bore	1.22 Inch 31 Millimeter
Cartridge Housing Width	0.787 Inch 20 Millimeter