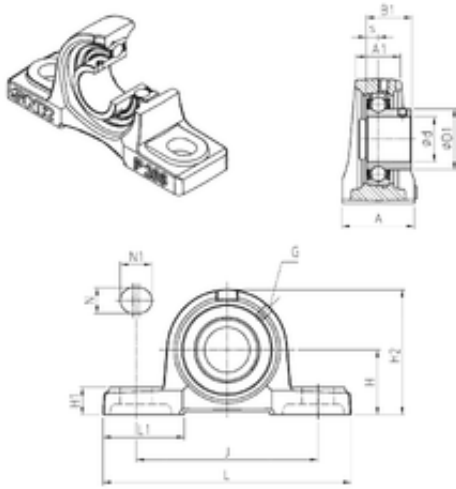




# NTN Bearing Driveshaft do Brasil



## SNR USP209 bearing units

Bearing No. USP209

Bore Diameter	45 mm
d	45 mm
s	10,2 mm
A	54 mm
A1	37 mm
B1	41,2 mm
D1	57,2 mm
H	54 mm
H1	20 mm
H2	108 mm
J	146 mm
L	190 mm
L1	60 mm
N	17 mm
N1	23 mm
Thread (G)	M6x1
Weight	2,4 Kg
Basic dynamic load rating (C)	31,85 kN

USP209 Bearing 2D drawings and 3D CAD models