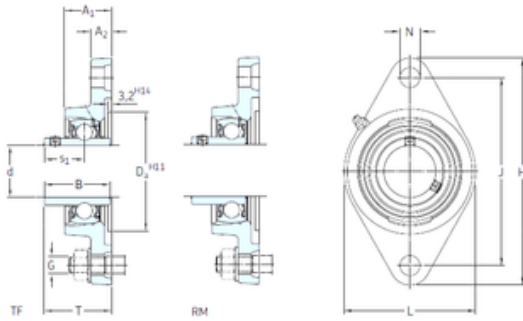




NTN Bearing Driveshaft do Brasil



SKF FYT 1/2 TF bearing units

Bearing No. FYT 1/2 TF

Bore Diameter	12,7 mm
Width	27,4 mm
d	12,7 mm
s1	15,9 mm
A1	23,4 mm
B	27,4 mm
G	10 mm
H	98,5 mm
J	76,2 mm
L	54 mm
N	11,1 mm
T	30,6 mm
A2	11,5 mm
Weight	0,33 Kg
Basic dynamic load rating (C)	9,56 kN
Basic static load rating (C0)	4,75 kN
Fatigue load limit (Pu)	0,2
Category	Flange Block Bearings
Inventory	0.0
Manufacturer Name	SKF
Minimum Buy Quantity	N/A
Weight / Kilogram	0.32
EAN	7316577755186
Product Group	M06110
Number of Mounting Holes	2
Mounting Method	Set Screw

FYT 1/2 TF Bearing 2D drawings and 3D CAD models



NTN Bearing Driveshaft do Brasil

Housing Style	2 Bolt Flange Block
Rolling Element	Ball Bearing
Housing Material	Cast Iron
Expansion / Non-expansion	Non-expansion
Mounting Bolts	3/8 Inch
Relubricatable	Yes
Insert Part Number	YAR 203-008-2F
Seals	M Seal
Housing Configuration	1 Piece Solid
Pilot Configuration	No Pilot
Inch - Metric	Inch
Long Description	2 Bolt Flange Block; 1/2" Bore; 3" Bolt Circle; 3" Bolt Spacing; 1 Piece Solid; Set Screw Mount; Cast Iron; Ball Bearing; 1-3/32" Length Thru Bore; Relubricatable; M Seal Seals
Other Features	Single Row Standard Duty Wide Inner Race Open End Has Flinger Y Bearing
Category	Flange Block
UNSPSC	31171501
Harmonized Tariff Code	8483.20.40.40
Noun	Bearing
Keyword String	Flanged
Manufacturer URL	http://www.skf.com
Manufacturer Item Number	FYT 1/2 TF
Weight / LBS	0.7
Cartridge Pilot Diameter	0 Inch 0 Millimeter
Bore	0.5 Inch 12.7 Millimeter
Cartridge Pilot Depth	0 Inch 0 Millimeter
Length Thru Bore	1.094 Inch 27.8 Millimeter
Nominal Bolt Circle	3 Inch 76 Millimeter



NTN Bearing Driveshaft do Brasil

Diameter Round	
Bolt Spacing	3 Inch 76.2 Millimeter