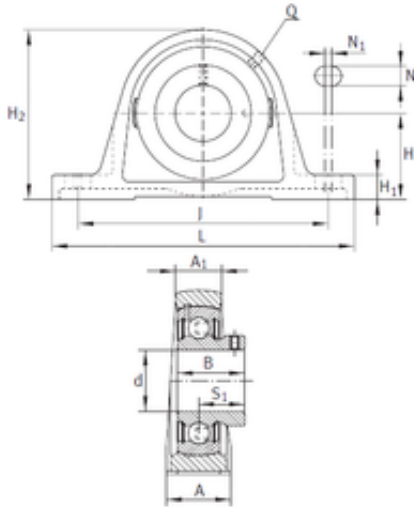




NTN Bearing Driveshaft do Brasil



INA PAKY5/8 bearing units

Bearing No. PAKY5/8

Bore Diameter	15,875 mm
d	15,875 mm
S1	16,002 mm
Thread (Q) - 1/4-28 UNF	1/428 UNF
A	32,004 mm
A1	19 mm
B	21,997 mm
H	27,001 mm
H1	10,795 mm
H2	54,788 mm
J	91,999 mm
L	124,994 mm
N	10,999 mm
N1	10,999 mm
Category	Pillow Block Bearings
Inventory	0.0
Manufacturer Name	SCHAEFFLER GROUP
Minimum Buy Quantity	N/A
Weight / Kilogram	0.55
Product Group	M06110
Number of Mounting Holes	2
Mounting Method	Set Screw
Housing Style	2 Bolt Pillow Block
Rolling Element	Ball Bearing
Housing Material	Cast Iron
Expansion / Non-expansion	Non-expansion

PAKY5/8 Bearing 2D drawings and 3D CAD models



NTN Bearing Driveshaft do Brasil

Relubricatable	Yes
Insert Part Number	GAY010NPPB
Seals	Double Lip Contact
Housing Configuration	1 Piece Solid
Inch - Metric	Inch
Other Features	Single Row Spherical Low Base With Grub Screw
Long Description	2 Bolt Pillow Block; 5/8" Bore; 1-1/16" Base to Center Height; Set Screw Mount; Ball Bearing; 3-3/16" Minimum Bolt Spacing; 4.055" Bolt Spacing Maximum; Relubricatable; Cast Iron;
Category	Pillow Block
UNSPSC	31171511
Harmonized Tariff Code	8483.20.40.40
Noun	Bearing
Keyword String	Pillow Block
Manufacturer URL	http://www.ina.com
Manufacturer Item Number	PAKY5/8
Weight / LBS	1.213
Base to Center Height	1.063 Inch 27 Millimeter
Nominal Bolt Center to Center	3.6 Inch 92 Millimeter
Actual Bolt Center to Center	0 Inch 0 Millimeter
Bore	0.625 Inch 15.875 Millimeter
Bolt Spacing Minimum	3.189 Inch 81 Millimeter
Length Thru Bore	0.866 Inch 22 Millimeter
Bolt Spacing Maximum	4.055 Inch 103 Millimeter