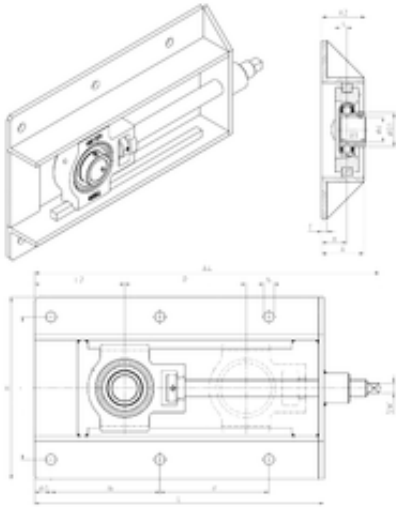




## NTN Bearing Driveshaft do Brasil



UST203+WB Bearing 2D drawings and 3D CAD models

### SNR UST203+WB bearing units

Bearing No. UST203+WB

Bore Diameter	17 mm
d	17 mm
A4	367 mm
P	150 mm
e	29 mm
L2	83 mm
s	6 mm
SW	11 mm
A	50 mm
B1	22 mm
D1	24,6 mm
H	199 mm
J	154 mm
L	317 mm
M	117 mm
M1	19 mm
N	12 mm
T	6 mm
A2	45 mm
Weight	5,1 Kg
Basic dynamic load rating (C)	9,55 kN