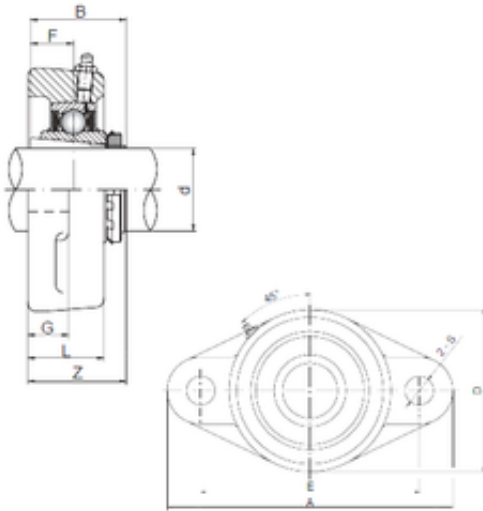




## NTN Bearing Driveshaft do Brasil



50 mm x 130 mm x 59 mm 50 mm x 130 mm x 59 mm ISO UKFL211 bearing units

Bearing No. UKFL211

Bore Diameter	50 mm
Width	59 mm
d	50 mm
Z	54,5 mm
A	224 mm
B	59 mm
D	130 mm
E	184 mm
F	25 mm
G	18 mm
L	43 mm
S	19 mm
Bolt (G)	M16

UKFL211 Bearing 2D drawings and 3D CAD models