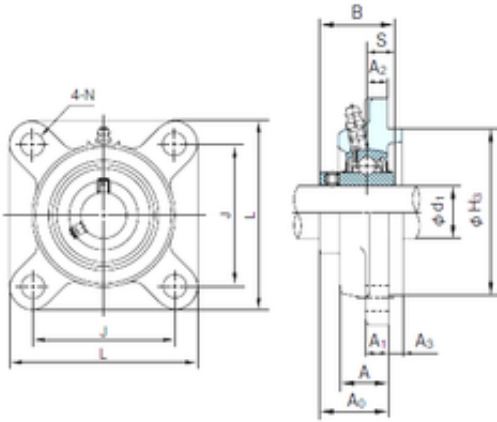




NTN Bearing Driveshaft do Brasil

NACHI UCFS311 bearing units

Bearing No. UCFS311



UCFS311 Bearing 2D drawings and 3D CAD models

Bore Diameter	55 mm
d1	55 mm
H3	150 mm
A0	58 mm
A	39 mm
A1	20 mm
B	66 mm
J	140 mm
L	185 mm
N	23 mm
S	25 mm
Bolt (G)	M20
A2	17 mm
A3	13 mm