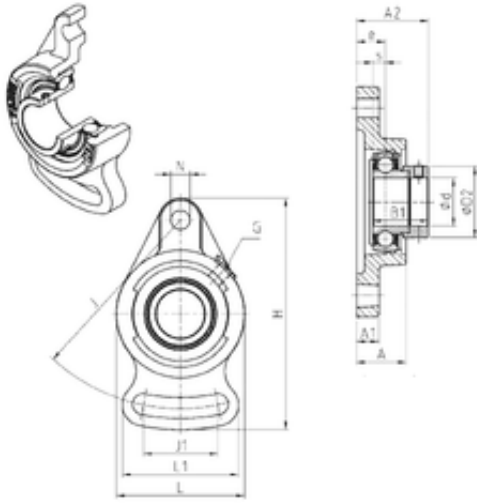




# NTN Bearing Driveshaft do Brasil



## SNR ESFA209 bearing units

Bearing No. ESFA209

Bore Diameter	45 mm
d	45 mm
e	22 mm
s	11 mm
A	38 mm
A1	18 mm
B1	43,7 mm
D2	63,5 mm
H	181 mm
J	148 mm
L	108 mm
L1	90 mm
N	15 mm
Thread (G)	M6x1
A2	54,7 mm
J1	72 mm
Weight	2,3 Kg
Basic dynamic load rating (C)	31,85 kN

ESFA209 Bearing 2D drawings and 3D CAD models