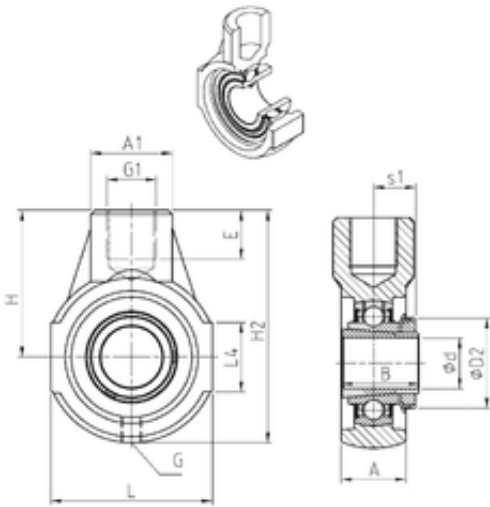




## NTN Bearing Driveshaft do Brasil

### SNR UKEHE208H bearing units

Bearing No. UKEHE208H



UKEHE208H Bearing 2D drawings and 3D CAD models

Bore Diameter	35 mm
d	35 mm
L4	45 mm
s1	24,5 mm
A	36 mm
A1	40 mm
B	46 mm
D2	58 mm
E	24 mm
G1	M24 mm
H	85 mm
H2	135 mm
L	100 mm
Thread (G)	R1/8"
Weight	1,9 Kg
Basic dynamic load rating (C)	29,6 kN
A2	40 mm
A5	24.5 mm
B1	46 mm
d1	58 mm
G	R1/8"
L1	85 mm
L3	45 mm
C	29.6 kN
C0	18.2 kN
T min.	-20 ° C



## NTN Bearing Driveshaft do Brasil

T max.	100 ° C
Adapter sleeve reference	H2308
Designation of housing	EHE208-
Designation of bearing	UK208G2H