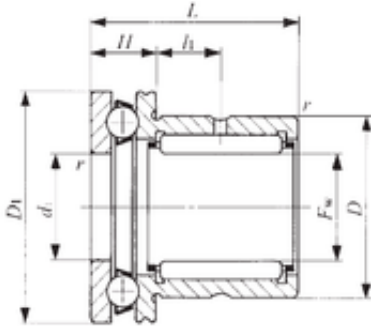




NTN Bearing Driveshaft do Brasil

IKO NAX 4032 complex bearings



Bearing No. NAX 4032

Bore Diameter	40 mm
Outer Diameter	52 mm
Fw	40 mm
D	52 mm
D1	60 mm
d1	40 mm
r min.	0,6 mm
H	13 mm
L	32 mm
L1	10 mm
da min.	52 mm
Weight	0,219 Kg
Dynamic load rating radial (C)	29,4 kN
Dynamic load rating axial (C)	26,9 kN
Static load rating radial (C0)	54,1 kN
Static load rating axial (C0)	50 kN

NAX 4032 Bearing 2D drawings and 3D CAD models