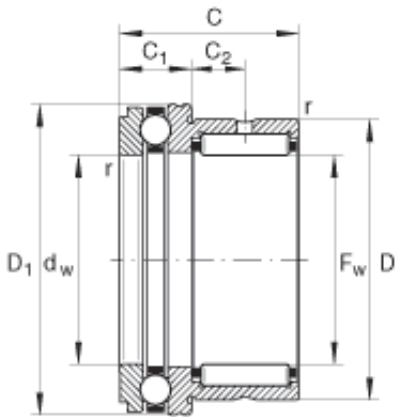




NTN Bearing Driveshaft do Brasil



NKX40 Bearing 2D drawings and 3D CAD models

INA NKX40 complex bearings

Bearing No. NKX40

Size	40x52x32 mm
Bore Diameter	40 mm
Outer Diameter	52 mm
Width	32 mm
F_w	40 mm
D	52 mm
C - 32 mm / Tolerance: -0,25	32 mm / Tolerance: 0,25
C_1 - 13 mm / Tolerance: -0,2	13 mm / Tolerance: 0,2
C_2	10 mm
$D_{1 \max}$	60,1 mm
d_a	55,7 mm
d_w	40 mm / Tolerance: E8
$r_{a \max}$	0,6 mm
r_{\min}	0,6 mm
	NAXK40 / Designation to DIN 5429
m	200 g / Weight
C_r	29500 N / Dynamic load rating (radial)
C_{0r}	47000 N / Static load rating (radial)
C_a	27000 N / Dynamic load rating (axial)
C_{0a}	63000 N / Static load rating (axial)



NTN Bearing Driveshaft do Brasil

C _{ur}	8300 N / Fatigue limit load, radial
C _{ua}	3000 N / Fatigue limit load, axial
n _G	4000 1/min / Limiting speed
	IR35X40X20 / Suitable inner ring
Category	Thrust Roller Bearing
Inventory	0.0
Manufacturer Name	SCHAEFFLER GROUP
Minimum Buy Quantity	N/A
Weight / Kilogram	0.2
EAN	4012802060294
Product Group	B00234
Rolling Element	Combination - Needle Roller and Thrust Ball Bearing
Self Aligning	No
Component Description	Roller Assembly plus Raceways
Thrust Bearing	Yes
Single or Double Direction	Single Direction
Banded	No
Cage Material	Steel
Precision Class	ABEC 1 ISO P0
Long Description	40MM Bore 1; 40MM Bore 2; 52MM Outside Diameter; 32MM Height; Combination - Needle Roller and Thrust Ball Bearing; Single Direction; Not Self Aligning; Not Banded; Steel Cage; ABEC 1 ISO P0; Roller
Inch - Metric	Metric
Category	Thrust Roller Bearings



NTN Bearing Driveshaft do Brasil

UNSPSC	31171537
Harmonized Tariff Code	8482.80.00.40
Noun	Bearing
Keyword String	Combination
Manufacturer URL	http://www.ina.com
Manufacturer Item Number	NKX40
Weight / LBS	0.441
Outside Diameter	2.047 Inch 52 Millimeter
Overall Height with Aligning Washer	0 Inch 0 Millimeter
Bore 1	1.575 Inch 40 Millimeter
Height	1.26 Inch 32 Millimeter
Bore 2	1.575 Inch 40 Millimeter