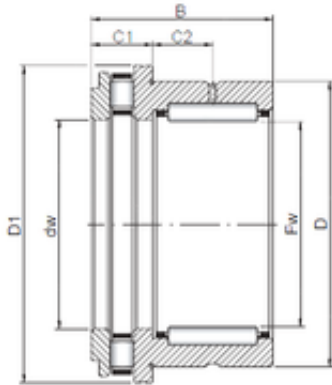




NTN Bearing Driveshaft do Brasil

45 mm x 58 mm x 32 mm 45 mm x 58 mm x 32 mm ISO NKXR 45 complex bearings



Bearing No. NKXR 45

Size	45x58x32 mm
Bore Diameter	45 mm
Outer Diameter	58 mm
Width	32 mm
d	45 mm
Fw	45 mm
D	58 mm
B	32 mm
C1	14 mm
D1	65,2 mm
C2	9 mm

NKXR 45 Bearing 2D drawings and 3D CAD models