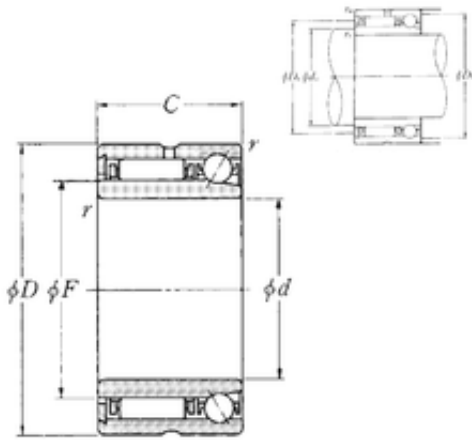




NTN Bearing Driveshaft do Brasil

20 mm x 37 mm x 23 mm 20 mm x 37 mm x 23 mm NTN NKIA5904 complex bearings



Bearing No. NKIA5904

NKIA5904 Bearing 2D drawings and 3D CAD models

Size	20x37x23 mm
Bore Diameter	20 mm
Outer Diameter	37 mm
Width	23 mm
d	20 mm
F	25 mm
D	37 mm
B	23 mm
C	23 mm
r min.	0,3 mm
da min.	22,5 mm
Da max.	28 mm
ra max.	0,3 mm
Db max	34,5 mm
Weight	0,111 Kg
Dynamic load rating radial (C)	16,5 kN
Dynamic load rating axial (C)	4,7 kN
Static load rating radial (C0)	22,1 kN
Static load rating axial (C0)	6,15 kN
(Grease) Lubrication Speed	11000 r/min