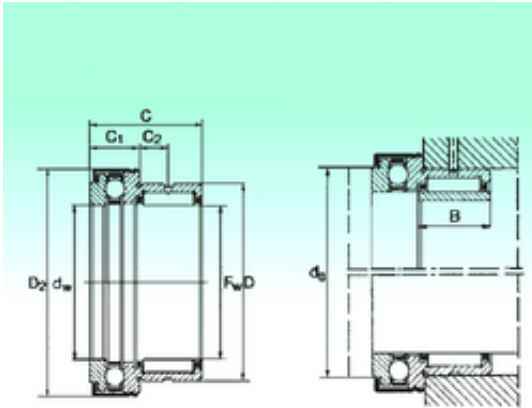




NTN Bearing Driveshaft do Brasil



NKX 70 Z Bearing 2D drawings and 3D CAD models

NBS NKX 70 Z complex bearings

Bearing No. NKX 70 Z

Size	70x85x40 mm
Bore Diameter	70 mm
Outer Diameter	85 mm
Width	40 mm
d	70 mm
Fw	70 mm
D	85 mm
C	40 mm
C1	18 mm
D1	95,2 mm
D2	96,5 mm
C2	11 mm
da	90,5 mm
Weight	0,52 Kg
Dynamic load rating radial (C)	42,5 kN
Dynamic load rating axial (C)	42 kN
Static load rating radial (C0)	91 kN
Static load rating axial (C0)	120 kN