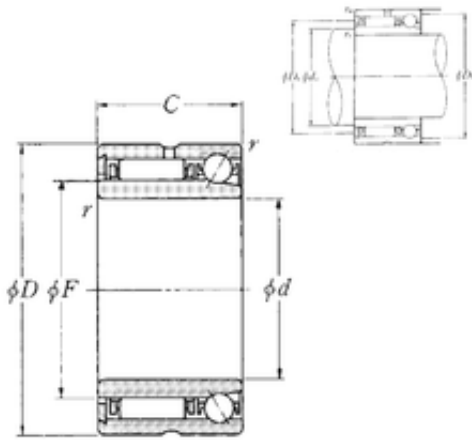




## NTN Bearing Driveshaft do Brasil

45 mm x 68 mm x 30 mm 45 mm x 68 mm x 30 mm NTN NKIA5909 complex bearings



NKIA5909 Bearing 2D drawings and 3D CAD models

Bearing No. NKIA5909

Size	45x68x30 mm
Bore Diameter	45 mm
Outer Diameter	68 mm
Width	30 mm
d	45 mm
F	55 mm
D	68 mm
B	30 mm
C	30 mm
r min.	0,6 mm
da min.	50 mm
Da max.	58 mm
ra max.	0,6 mm
Db max	63 mm
Weight	0,401 Kg
Dynamic load rating radial (C)	33 kN
Dynamic load rating axial (C)	8,5 kN
Static load rating radial (C0)	69,5 kN
Static load rating axial (C0)	17,1 kN
(Grease) Lubrication Speed	5000 r/min