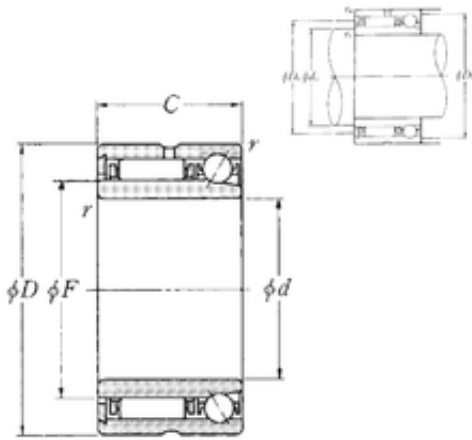




## NTN Bearing Driveshaft do Brasil

40 mm x 62 mm x 30 mm 40 mm x 62 mm x 30 mm NTN NKIA5908 complex bearings



NKIA5908 Bearing 2D drawings and 3D CAD models

Bearing No. NKIA5908

Size	40x62x30 mm
Bore Diameter	40 mm
Outer Diameter	62 mm
Width	30 mm
d	40 mm
F	48 mm
D	62 mm
B	30 mm
C	30 mm
r min.	0,6 mm
da min.	45 mm
Da max.	51 mm
ra max.	0,6 mm
Db max	57 mm
Weight	0,347 Kg
Dynamic load rating radial (C)	31 kN
Dynamic load rating axial (C)	7,75 kN
Static load rating radial (C0)	61 kN
Static load rating axial (C0)	14 kN
(Grease) Lubrication Speed	5500 r/min