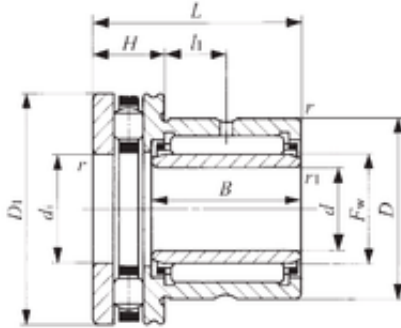




NTN Bearing Driveshaft do Brasil

35 mm x 52 mm x 20 mm 35 mm x 52 mm x 20 mm IKO NBXI 3532 complex bearings



NBXI 3532 Bearing 2D drawings and 3D CAD models

Bearing No. NBXI 3532

| | |
|--------------------------------|----------|
| Bore Diameter | 35 mm |
| Outer Diameter | 52 mm |
| d | 35 mm |
| Fw | 40 mm |
| D | 52 mm |
| D1 | 60 mm |
| B | 20 mm |
| d1 | 40 mm |
| r min. | 0,6 mm |
| r1 min. | 0,3 mm |
| H | 13 mm |
| L | 32 mm |
| L1 | 10 mm |
| da min. | 57 mm |
| db | 39 mm |
| Weight | 0,286 Kg |
| Dynamic load rating radial (C) | 29,4 kN |
| Dynamic load rating axial (C) | 41,7 kN |
| Static load rating radial (C0) | 54,1 kN |
| Static load rating axial (C0) | 133 kN |
| Category | Bearings |
| Inventory | 0.0 |
| Manufacturer Name | IKO |
| Minimum Buy Quantity | N/A |
| | |



NTN Bearing Driveshaft do Brasil

| | |
|-------------------|--------|
| Weight / Kilogram | 0 |
| Product Group | B04144 |