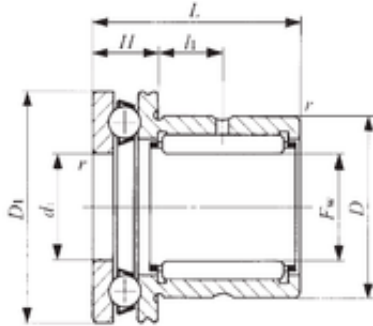




NTN Bearing Driveshaft do Brasil

IKO NAX 4532 complex bearings



Bearing No. NAX 4532

Bore Diameter	45 mm
Outer Diameter	58 mm
Fw	45 mm
D	58 mm
D1	65 mm
d1	45 mm
r min.	0,6 mm
H	14 mm
L	32 mm
L1	9 mm
da min.	57 mm
Weight	0,264 Kg
Dynamic load rating radial (C)	31 kN
Dynamic load rating axial (C)	27,9 kN
Static load rating radial (C0)	60,2 kN
Static load rating axial (C0)	55,1 kN

NAX 4532 Bearing 2D drawings and 3D CAD models