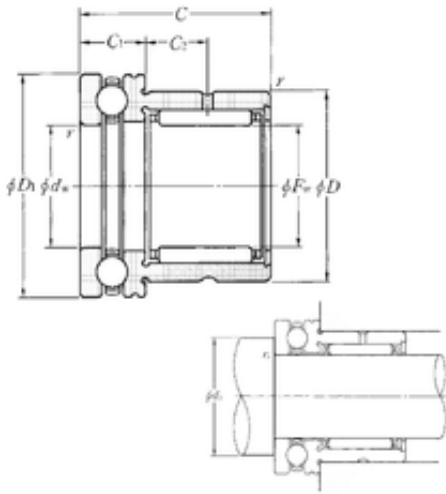




NTN Bearing Driveshaft do Brasil



NKX35T2 Bearing 2D drawings and 3D CAD models

NTN NKX35T2 complex bearings

Bearing No. NKX35T2

Bore Diameter	35 mm
Outer Diameter	52 mm
d	35 mm
Fw	35 mm
D	47 mm
D1	52 mm
C	30 mm
r min.	0,6 mm
C1	12 mm
da min.	45 mm
ra max.	0,6 mm
C2	9 mm
Weight	0,167 Kg
Dynamic load rating radial (C)	20 kN
Dynamic load rating axial (C)	20,4 kN
Static load rating radial (C0)	36 kN
Static load rating axial (C0)	44,5 kN
(Grease) Lubrication Speed	3900 r/min
dw	35 mm
rs min	0.6 mm
Dw	2.5 mm
Dw1	6.35 mm
Lw	13.8 mm
Lubrication hole on outer ring	Oui/Yes



NTN Bearing Driveshaft do Brasil

Precision class	P0
Mass	0.17 kg
Cr	20 kN
Ca	20.4 kN
C0r	36 kN
C0a	44.5 kN
Nlim (grease)	3,900 rpm
Nlim (oil)	5,600 rpm
Min operating temperature, Tmin	-20 ° C
Max operating temperature, Tmax	120 ° C
da min	45 mm
ras max	0.6 mm
Category	Bearings
Inventory	0.0
Manufacturer Name	NTN
Minimum Buy Quantity	N/A
Weight / Kilogram	0.167
Product Group	B04144