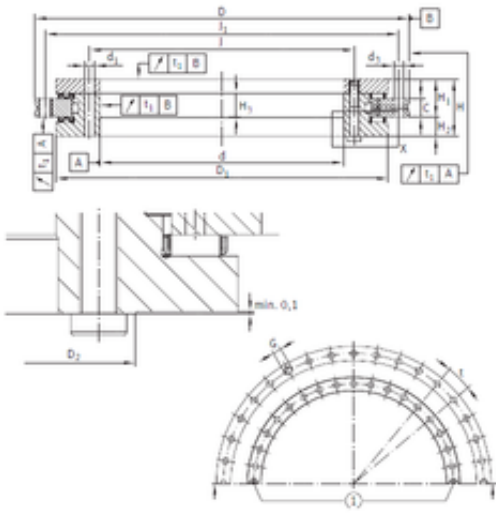




NTN Bearing Driveshaft do Brasil



INA YRTE260 complex bearings

Bearing No. YRTE260

Bore Diameter	260 mm
Outer Diameter	385 mm
d	260 mm
D	385 mm
D1	345 mm
D2	297 mm
C	18 mm
H	55 mm
H3	23 mm
d1	9,3 mm
d3	9,3 mm
H1	36,5 mm
H2	18,5 mm
J	280 mm
Thread (G)	M12
J1	365 mm

YRTE260 Bearing 2D drawings and 3D CAD models