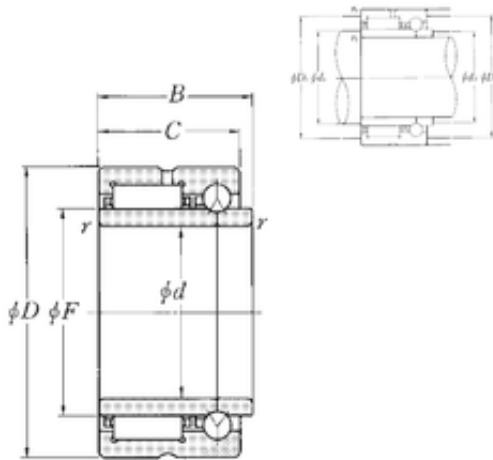




NTN Bearing Driveshaft do Brasil

65 mm x 90 mm x 38 mm 65 mm x 90 mm x 38 mm NTN NKIB5913R complex bearings



NKIB5913R Bearing 2D drawings and 3D CAD models

Bearing No. NKIB5913R

Size	65x90x38 mm
Bore Diameter	65 mm
Outer Diameter	90 mm
Width	38 mm
d	65 mm
F	72 mm
D	90 mm
B	38 mm
C	34 mm
r min.	1 mm
da min.	71 mm
Da max.	84 mm
ra max.	1 mm
Weight	0,64 Kg
Dynamic load rating radial (C)	62,5 kN
Dynamic load rating axial (C)	12,1 kN
Static load rating radial (C0)	112 kN
Static load rating axial (C0)	34 kN
(Grease) Lubrication Speed	3700 r/min