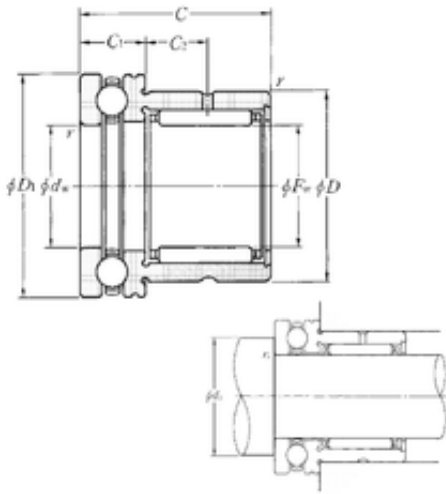




NTN Bearing Driveshaft do Brasil



NKX70 Bearing 2D drawings and 3D CAD models

NTN NKX70 complex bearings

Bearing No. NKX70

Bore Diameter	70 mm
Outer Diameter	95 mm
d	70 mm
Fw	70 mm
D	85 mm
D1	95 mm
C	40 mm
r min.	1 mm
C1	18 mm
da min.	85 mm
ra max.	1 mm
C2	11 mm
Weight	0,612 Kg
Dynamic load rating radial (C)	36,5 kN
Dynamic load rating axial (C)	43 kN
Static load rating radial (C0)	86 kN
Static load rating axial (C0)	127 kN
(Grease) Lubrication Speed	2400 r/min
dw	70 mm
rs min	1 mm
Dw	3 mm
Dw1	8.73 mm
Lw	15.8 mm
Lubrication hole on outer ring	Oui/Yes



NTN Bearing Driveshaft do Brasil

k	3 mm
Precision class	P0
Mass	0.61 kg
Cr	36.5 kN
Ca	43 kN
C0r	86 kN
C0a	127 kN
Nlim (grease)	2,400 rpm
Nlim (oil)	3,400 rpm
Min operating temperature, T _{min}	-20 ° C
Max operating temperature, T _{max}	120 ° C
da min	85 mm
ras max	1 mm
Category	Roller Bearings
Inventory	3.0
Manufacturer Name	NTN
Minimum Buy Quantity	N/A
Weight / Kilogram	0.6
EAN	4547359126532
Product Group	B04144
bore diameter:	0.8661 in
radial static load capacity:	86000 N
outside diameter:	1.5354 in
bearing material:	High Carbon Chrome Steel
overall width:	1.5748 in
closure type:	Open
operating temperature range:	-40 to 250 ° F ° F
cage material:	Steel
radial dynamic load capacity:	36500 N



NTN Bearing Driveshaft do Brasil

manufacturer upc number:

4547359126532