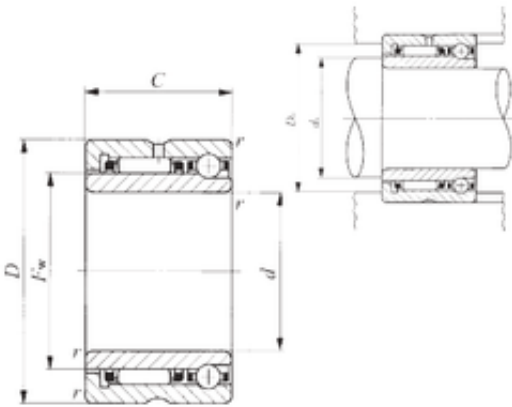




NTN Bearing Driveshaft do Brasil

40 mm x 62 mm x 30 mm 40 mm x 62 mm x 30 mm IKO NATA 5908 complex bearings



Bearing No. NATA 5908

Size	40x62x30 mm
Bore Diameter	40 mm
Outer Diameter	62 mm
Width	30 mm
d	40 mm
Fw	48 mm
D	62 mm
B	30 mm
C	30 mm
r min.	0,6 mm
da min.	44 mm
Da max.	58 mm
Weight	0,355 Kg
Dynamic load rating radial (C)	30,6 kN
Dynamic load rating axial (C)	5,35 kN
Static load rating radial (C0)	60,4 kN
Static load rating axial (C0)	11,8 kN

NATA 5908 Bearing 2D drawings and 3D CAD models