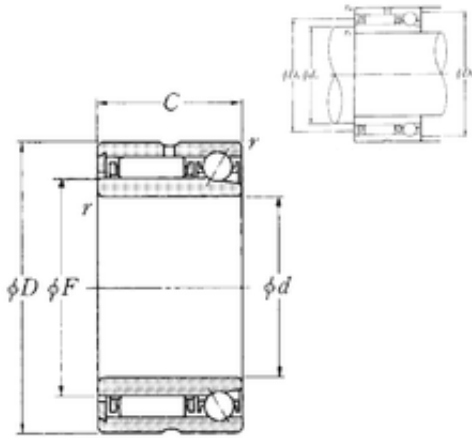




## NTN Bearing Driveshaft do Brasil

50 mm x 72 mm x 30 mm 50 mm x 72 mm x 30 mm NTN NKIA5910 complex bearings



Bearing No. NKIA5910

NKIA5910 Bearing 2D drawings and 3D CAD models

Size	50x72x30 mm
Bore Diameter	50 mm
Outer Diameter	72 mm
Width	30 mm
d	50 mm
F	60 mm
D	72 mm
B	30 mm
C	30 mm
r min.	0,6 mm
da min.	55 mm
Da max.	63 mm
ra max.	0,6 mm
Db max	67 mm
Weight	0,41 Kg
Dynamic load rating radial (C)	33,5 kN
Dynamic load rating axial (C)	8,8 kN
Static load rating radial (C0)	73,5 kN
Static load rating axial (C0)	18,7 kN
(Grease) Lubrication Speed	4300 r/min