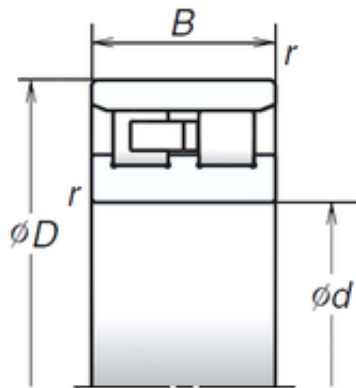




NTN Bearing Driveshaft do Brasil



*Cylindrical Bore

25 mm x 47 mm x 16 mm 25 mm x 47 mm x 16 mm NSK NN3005MB cylindrical roller bearings

Bearing No. NN3005MB

Size	25x41.3x16 mm
Bore Diameter	25 mm
Outer Diameter	41,3 mm
Width	16 mm
d	25 mm
D	47 mm
E	41,3 mm
B	16 mm
C	16 mm
r min.	0,6 mm
Weight	0,127 Kg
Basic dynamic load rating (C)	25,8 kN
Basic static load rating (C0)	30 kN
(Grease) Lubrication Speed	20 900 r/min

NN3005MB Bearing 2D drawings and 3D CAD models