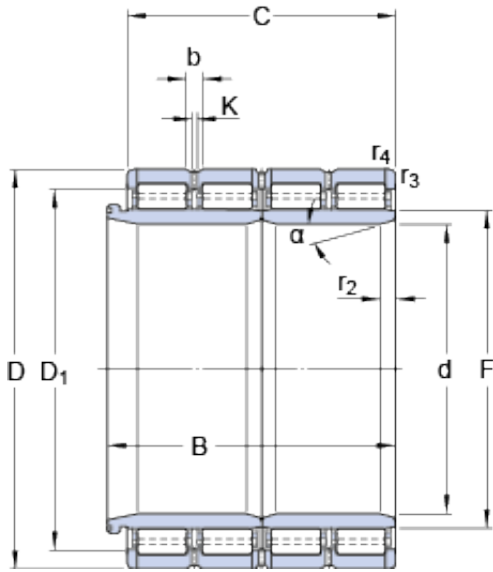




NTN Bearing Driveshaft do Brasil



BC4B 322497/HA4 Bearing 2D drawings and 3D CAD models

600 mm x 870 mm x 578 mm 600 mm x 870 mm x 578 mm SKF BC4B 322497/HA4 cylindrical roller bearings

Bearing No. BC4B 322497/HA4

Size	870x600x578 mm
Bore Diameter	870 mm
Outer Diameter	600 mm
Width	578 mm
d	600 mm
D	870 mm
B	578 mm
C	540 mm
D ₁	790.2 mm
D ₁	500 mm
F	672 mm
b	22.3 mm
K	12 mm
r _{1,2} - min.	13.5 mm
	20 °
r _{3,4} - min.	5 mm
Basic dynamic load rating - C	13200 kN
Basic static load rating - C ₀	31500 kN
Fatigue load limit - P _u	2240 kN
Calculation factor - k _r	570
Mass bearing	1150 kg
Design variant/feature	BC4.20/W33GWI
D ₁	790.2 mm



NTN Bearing Driveshaft do Brasil

$r_{1,2}$ min.	13.5 mm
	20 °
$r_{3,4}$ min.	5 mm
Basic dynamic load rating C	13200 kN
Basic static load rating C_0	31500 kN
Fatigue load limit P_u	2240 kN
Calculation factor k_r	570