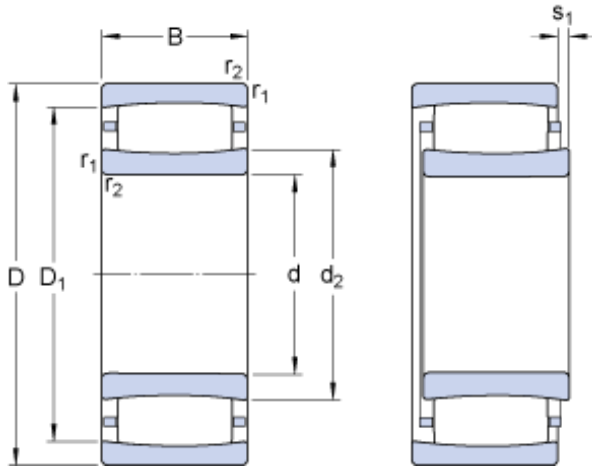




NTN Bearing Driveshaft do Brasil



140 mm x 250 mm x 68 mm 140 mm x 250 mm
x 68 mm SKF C 2228 cylindrical roller bearings

Bearing No. C 2228

C 2228 Bearing 2D drawings and 3D CAD models

Size	250x140x68 mm
Bore Diameter	250 mm
Outer Diameter	140 mm
Width	68 mm
d	140 mm
D	250 mm
B	68 mm
d ₂	173 mm
D ₁	223 mm
s ₁	13.7 mm
r _{1,2} - min.	3 mm
d _a - min.	154 mm
d _a - max.	191 mm
D _a - min.	207 mm
D _a - max.	236 mm
C _a - min.	2.3 mm
r _a - max.	2.5 mm
Basic dynamic load rating - C	830 kN
Basic static load rating - C ₀	1060 kN
Fatigue load limit - P _u	102 kN
Reference speed	2400 r/min
Limiting speed	3200 r/min
Factor - k ₁	0.109
Factor - k ₂	0.108



NTN Bearing Driveshaft do Brasil

Category	Roller Bearings
Inventory	0.0
Manufacturer Name	SKF
Minimum Buy Quantity	N/A
Weight / Kilogram	14.341
EAN	7316571218434
Product Group	B04144
d_2	173 mm
D_1	223 mm
s_1 max.	13.7 mm
$r_{1,2}$ min.	3 mm
d_a min.	154 mm
d_a max.	191 mm
D_a min.	207 mm
D_a max.	236 mm
C_a min.	2.3 mm
r_a max.	2.5 mm
Basic dynamic load rating C	830 kN
Basic static load rating C_0	1060 kN
Fatigue load limit P_u	102 kN
Misalignment factor k_1	0.109
Operating clearance factor k_2	0.108
Mass bearing	14 kg