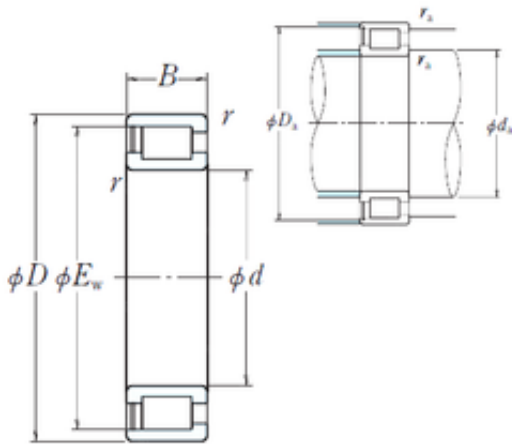




## NTN Bearing Driveshaft do Brasil

560 mm x 820 mm x 195 mm 560 mm x 820 mm  
x 195 mm NSK NCF30/560V cylindrical roller  
bearings



Bearing No. NCF30/560V

Size	560x770x195 mm
Bore Diameter	560 mm
Outer Diameter	770 mm
Width	195 mm
d	560 mm
D	820 mm
Ew	770 mm
B	195 mm
C	195 mm
r min.	6 mm
Da	778 mm
ra max.	5 mm
da	598 mm
Weight	332,5 Kg
Basic dynamic load rating (C)	5600 kN

NCF30/560V Bearing 2D drawings and 3D CAD models